

3530 & 3536 Brushless Motor User Guide

Thank you for using RC Electric Parts' 3530 & 3536 Brushless Motor designed to meet your hobbies needs. We hope you enjoy this product as much as we do! If you have any issues or questions with our product feel free to contact us at RCElectricParts@gmail.com or on our website at www.RCElectricParts.com and we'll be happy to help you!

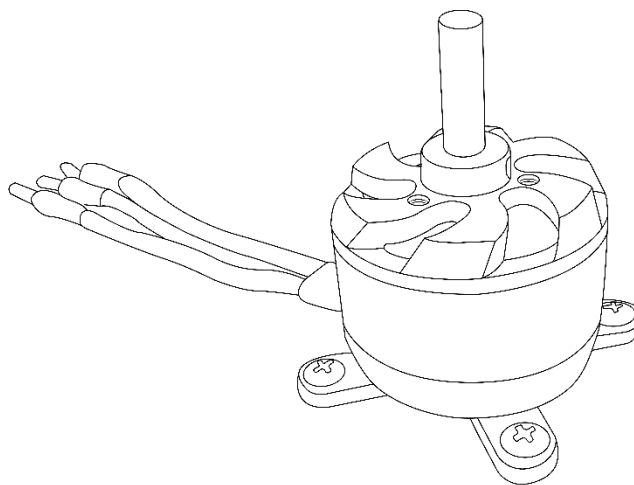
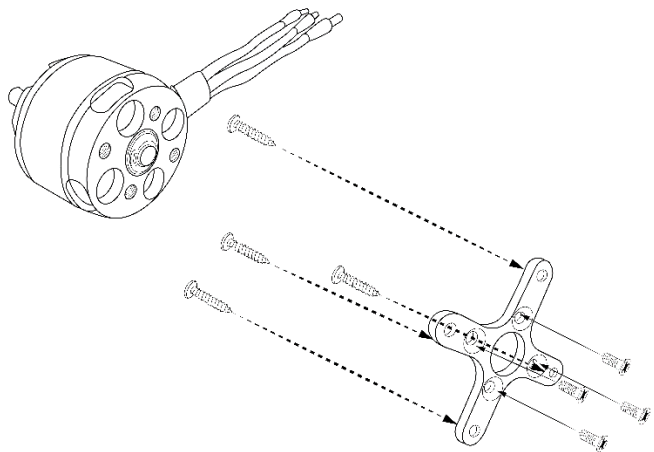
Product Includes

Qty	Item
1	Brushless Motor
3	Soldered 3.5mm Bullet Plugs
1	Propeller Collet Mount
1	Motor Base
4	Machine screws
5	#6 Wood Screws to mount motor (Method A)
5	M3 x 6mm Fasteners to mount motor (Method B)

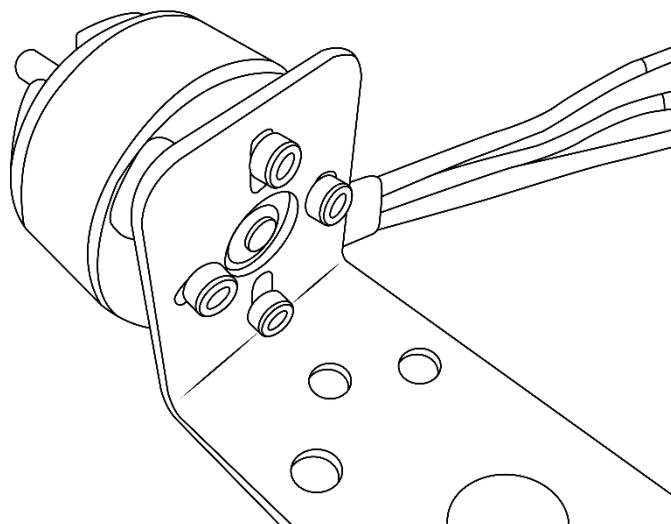
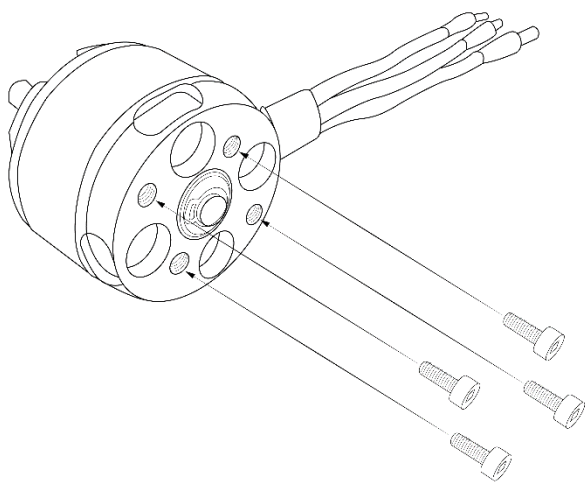
Specifications

Metric	3530 1700Kv	3530 1400Kv	3536 1450Kv
RPM	1700Kv (RPM * Volts)	1400Kv (RPM * Volts)	1450Kv (RPM * Volts)
Battery	2 - 4s LiPo (6.5v - 16.8v)	2 - 4s LiPo (6.5v - 16.8v)	2 - 4s LiPo (6.5v - 16.8v)
Motor Size	Φ35 * 30mm	Φ35 * 30mm	Φ35 * 36mm
Shaft Size	Φ5.0 * 47.5mm	Φ5.0 * 47.5mm	Φ5.0 * 43.5mm
Recommend Prop	7x6, 7x6 or 6x6	9x6, 8x4, or 9x4.5	9x6 or 8x4
Recommended ESC	>= 30A	>= 30A	>= 50A

Method A



Method B



Propeller Assembly

